

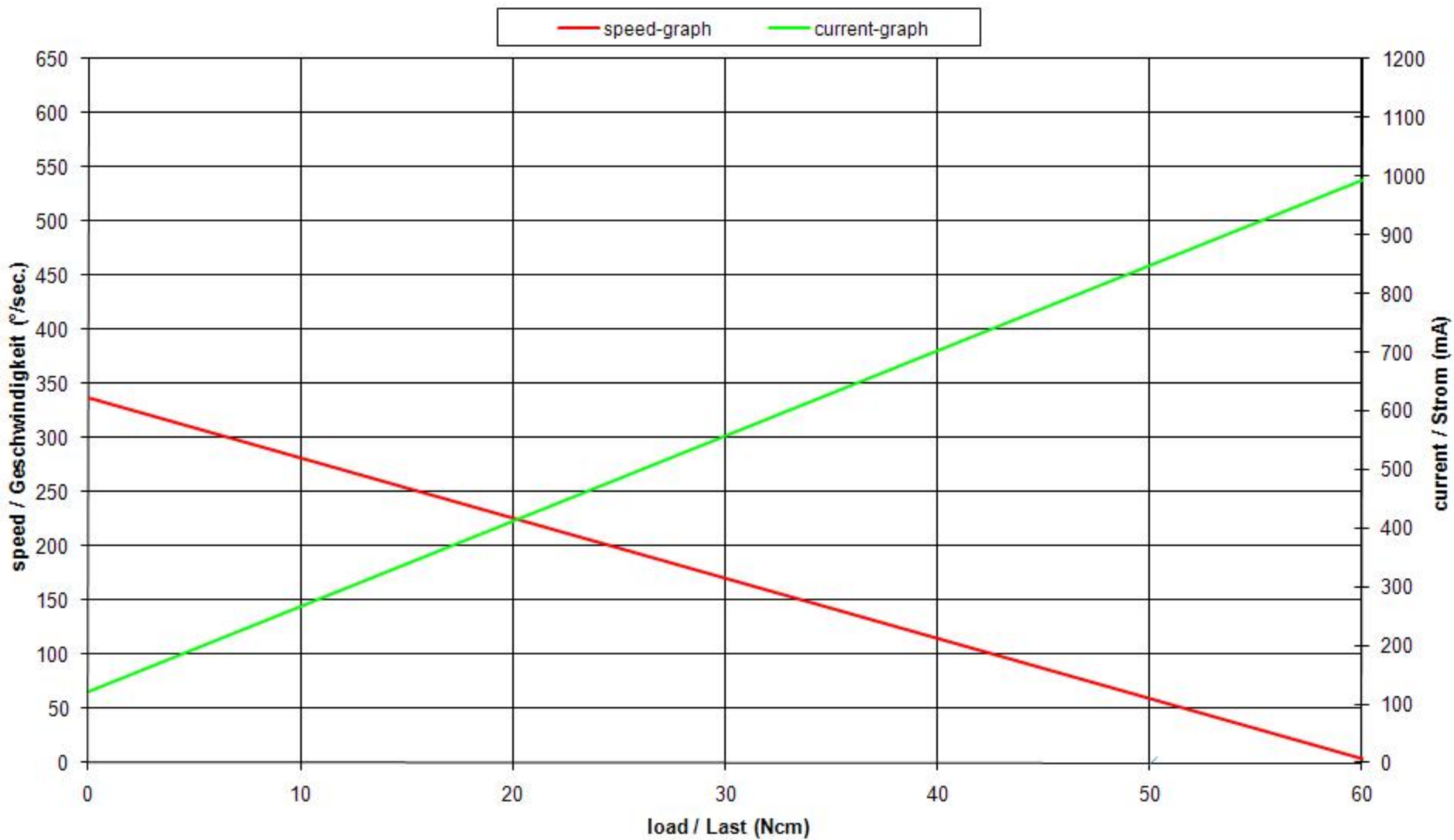
DA 13-05-60

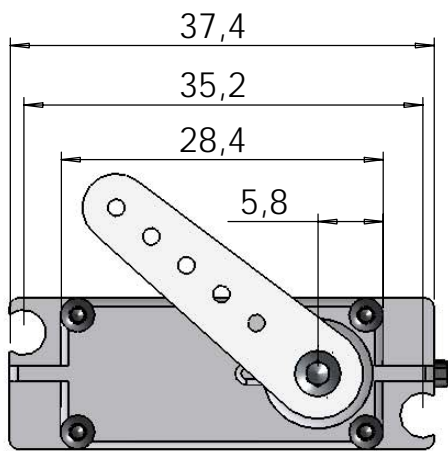
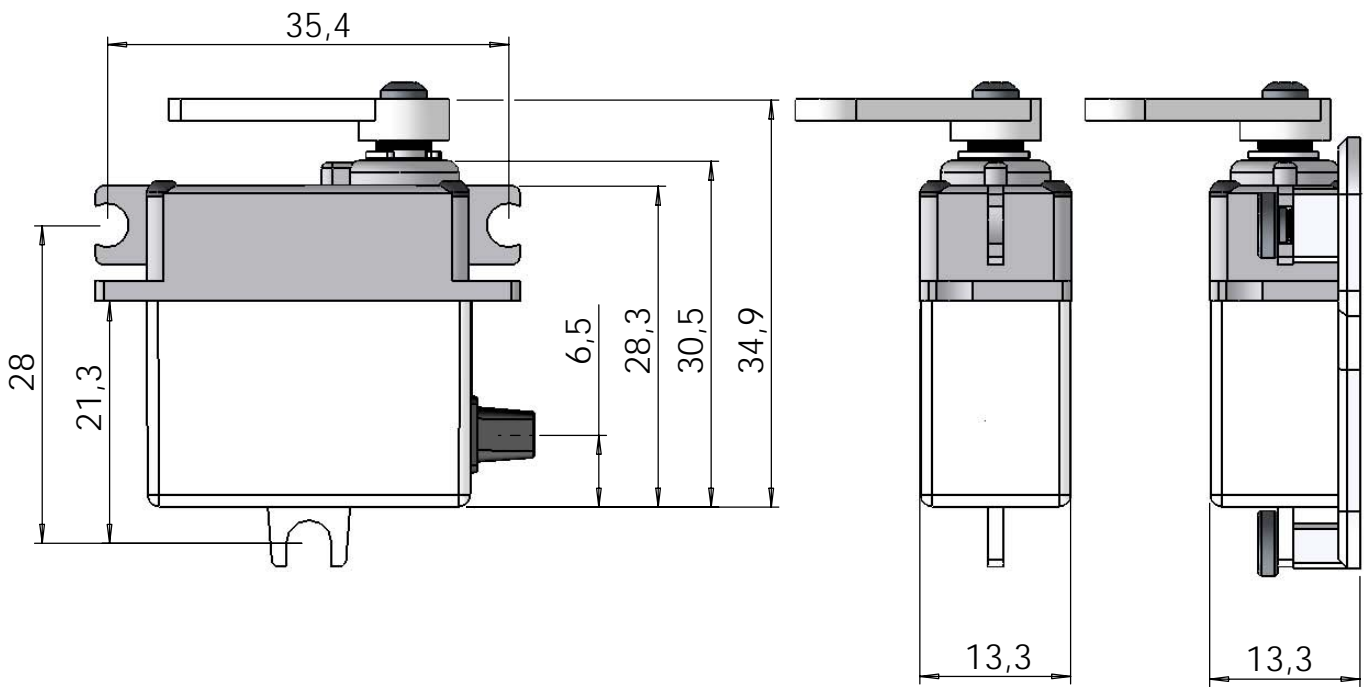
Supply Voltage	
Operating voltage	4.8-5 V.
Signal voltage	TTL level
Current consumption	at 5 Volt
Stand by *	< 8 mA
Stall current *	1000 mA
Input pulse	
Frame rate	7-20 ms
Valid pulse lengths	0.9 – 2.1 ms
Left / Center / Right	0.9 ms / 1.5 ms / 2.1 ms
Resolution	< 0.5 μ sec.
Operating data at 5 Volts	
Peak stall torque *	60 Ncm
No load speed *	330° / sec.
Max. travel angle (standard)	+/- 65° = 130° total travel
Deadband (mechanical)	< 0.5°
Deadband (electrical)	< 0.5 μ sec.
Position error under temperature: -20° C. to +50° C. (= Delta 70° C.)	< 0.3
Operating temperature	-30° C. - +70° C.
Max. storage temperature	-35° C. - +80° C.
Material / Shielding / Protection	
Case	POM, Chrome plated base
Splash water resistance	optional
Salt water resistance	optional
EMI / RFI shielding	optional
Gear set	Hardened steel
Gear protection system	optional
Dimensions / Weight	
Case dimensions / Weight	28.5 x 28.5 x 13 mm / 19 g \pm 0.2 mm / \pm 5%
Item Number #	# 13-05-60

The actuator is fully programmable using programming tool # 985

* tolerance \pm 10 %

DA 13-05-60 @ 5V

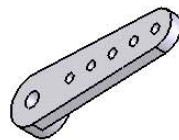




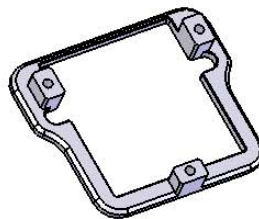
Accessories



1521.21
alu arm - short, single sided



1641.22
alu arm - long, single sided



#1503
alu muonting frame
incl. screws and washers

DA 13-05-60

scale 1,5:1
all measurements in mm

