

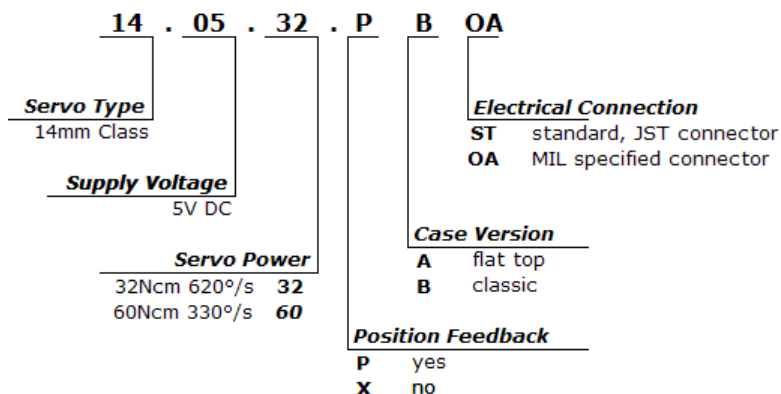
# DA 14-05-32

Supply Voltage	
Operating voltage	4,8-5 V
Signal voltage	TTL level
Current consumption	at 5 Volt
Stand by *	< 8 mA
Stall current *	1000 mA
Input Pulse	
Frame rate	7-20 ms
Valid pulse lengths	0.9 – 2.1 ms
Left / Center / Right	0.9 ms / 1.5 ms / 2.1 ms
Resolution	< 0.5 µs
Operating Data at 5 Volts	
Peak stall torque *	32 Ncm 41 oz-in
No load speed *	610°/s
Max. travel angle	+/- 65° = 130° total travel
Deadband (mechanical)	< 0.5°
Deadband (electrical)	< 0.5 µs
Position error under temperature:	< 0.3 -20°C ... +50°C (= Delta 70°C) -5°F ... +120°F (= Delta 125°F)
Operating temperature	-30°C ... +70°C -22°F ... +158°F
Max. storage temperature	-35°C ... +80°C -31°F ... +176°F
Material / Shielding / Protection	
Case	Carbon fiber reinforced POM
Splash water resistance	IP 67 , waterproof to 1m water depth
EMI / RFI shielding	Case shielded
Gear set	Hardened steel
Dimensions / Weight	
Case dimensions / Weight	30 x 32 x 14 mm / 20 g ± 0,2 mm / ± 5% 1.18" x 1.26" x 0.55" / 0.67oz ± 0.1 " / ± 5%
Item Number (Extensions: See Item Number System)	# 14.05.32...[Extensions]

The actuator is fully programmable using programming tool # 985.1

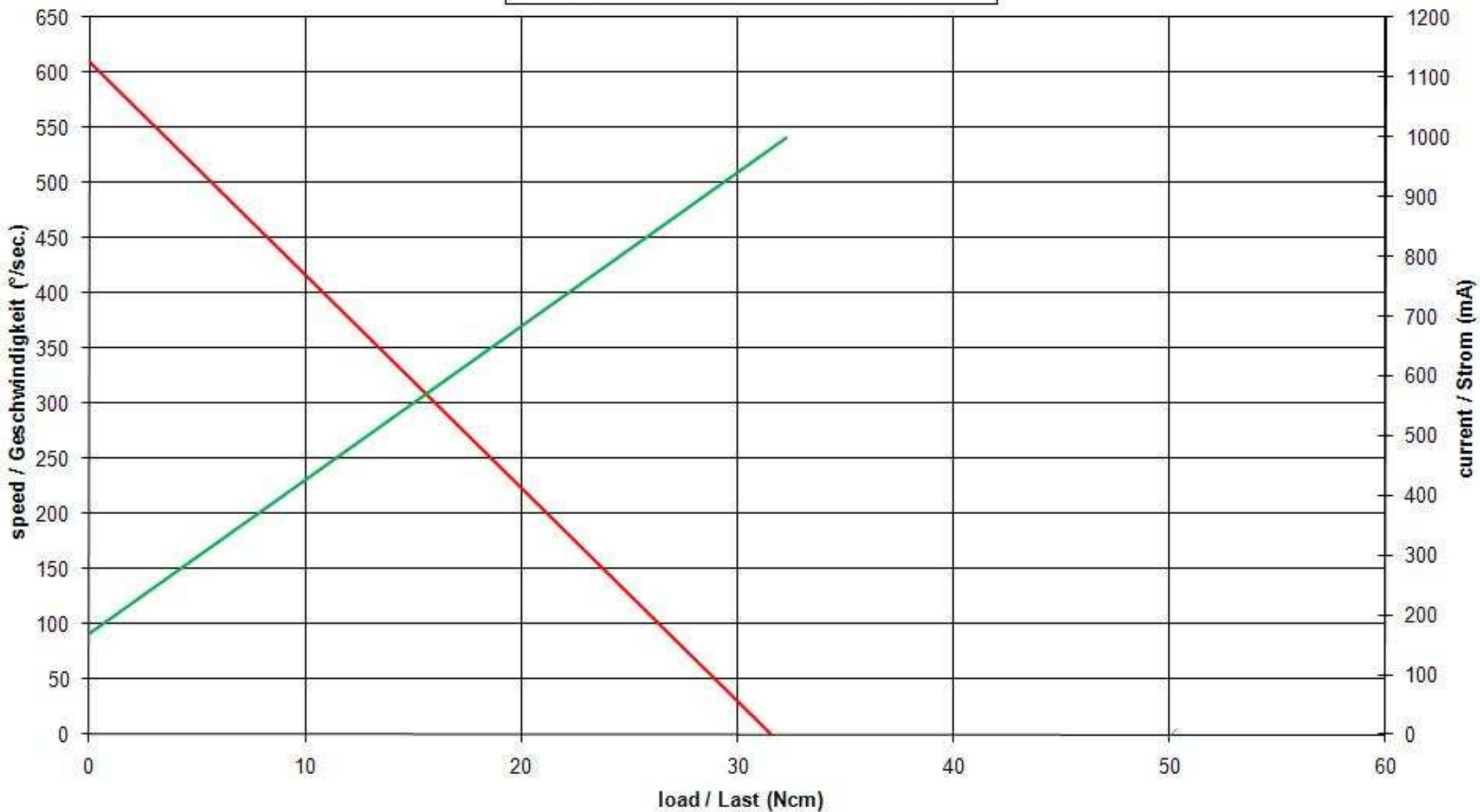
\* tolerance ± 10 %

## DA 14 Item Number System



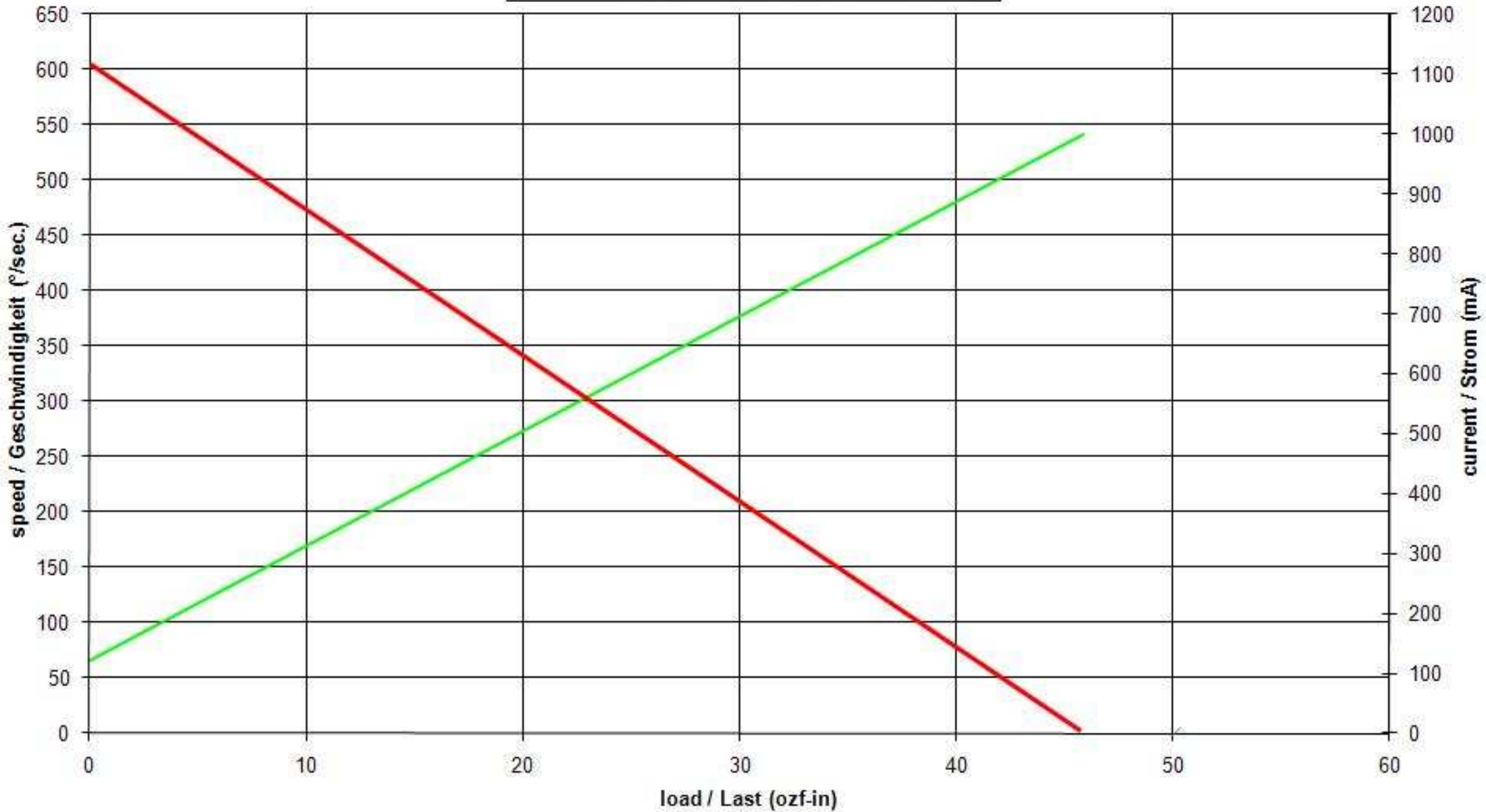
# DA 14-05-32 @ 5V

— speed-graph — current-graph



# DA 14-05-32 @ 5V

speed-graph    current-graph



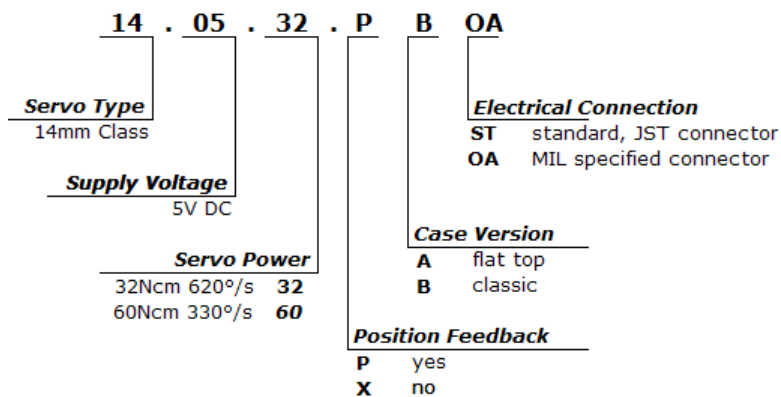
# DA 14-05-60

<b>Supply Voltage</b>	
Operating voltage	4,8-5 V
Signal voltage	TTL level
Current consumption	at 5 Volt
Stand by *	< 8 mA
Stall current *	1000 mA
<b>Input Pulse</b>	
Frame rate	7-20 ms
Valid pulse lengths	0.9 – 2.1 ms
Left / Center / Right	0.9 ms / 1.5 ms / 2.1 ms
Resolution	< 0.5 µs
<b>Operating Data at 5 Volts</b>	
Peak stall torque *	60 Ncm 80 oz-in
No load speed *	330°/s
Max. travel angle	+/- 65° = 130° total travel
Deadband (mechanical)	< 0.5°
Deadband (electrical)	< 0.5 µs
Position error under temperature:	< 0.3 -20°C ... +50°C (= Delta 70°C) -5°F ... +120°F (= Delta 125°F)
Operating temperature	-30°C ... +70°C -22°F ... +158°F
Max. storage temperature	-35°C ... +80°C -31°F ... +176°F
<b>Material / Shielding / Protection</b>	
Case	Carbon fiber reinforced POM
Splash water resistance	IP 67 , waterproof to 1m water depth
EMI / RFI shielding	Case shielded
Gear set	Hardened steel
<b>Dimensions / Weight</b>	
Case dimensions / Weight	30 x 32 x 14 mm / 20 g ± 0,2 mm / ± 5% 1.18" x 1.26" x 0.55" / 0.67oz ± 0.1 " / ± 5%
Item Number (Extensions: See Item Number System)	# 14.05.60...[Extensions]

The actuator is fully programmable using programming tool # 985.1

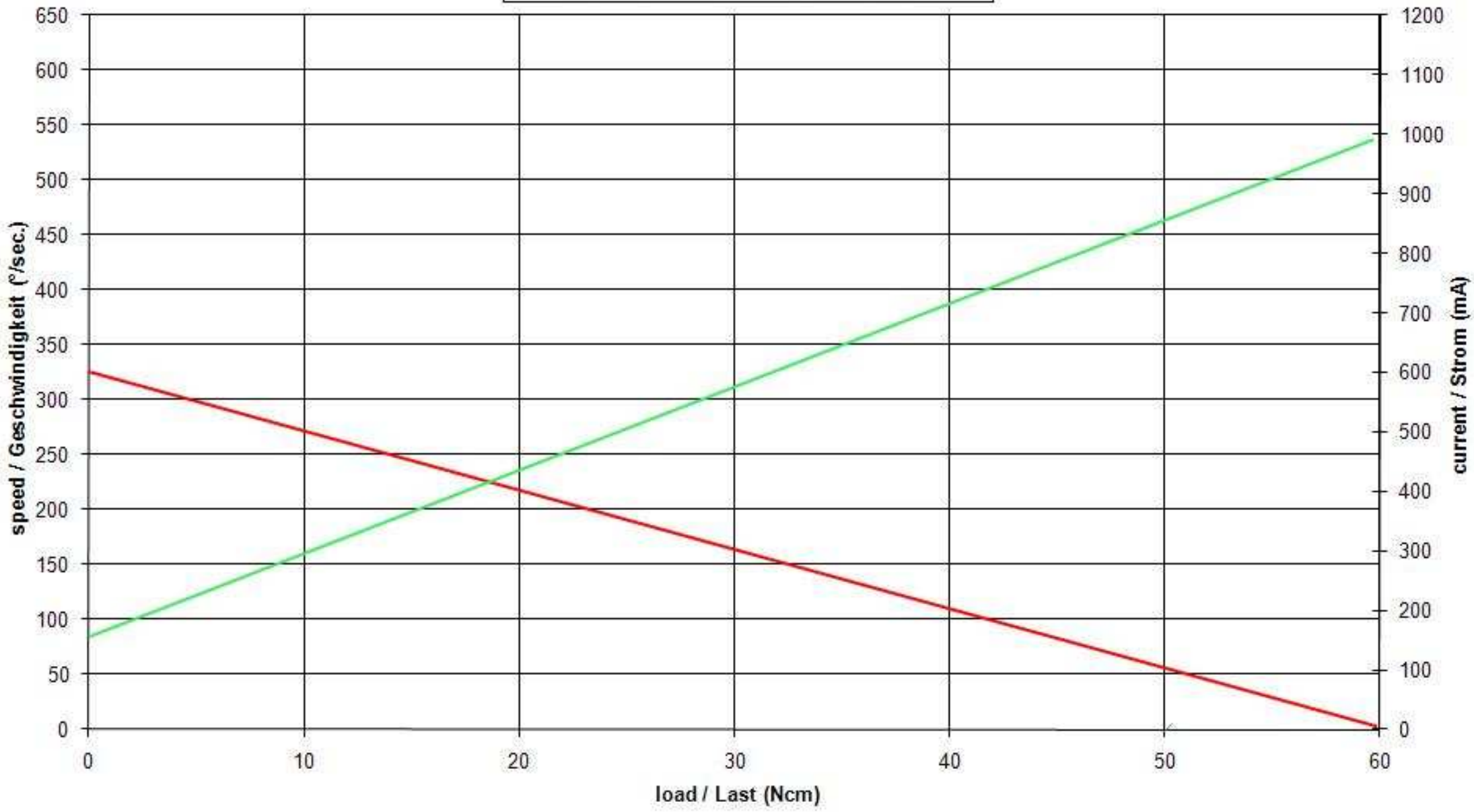
\* tolerance ± 10 %

## DA 14 Item Number System



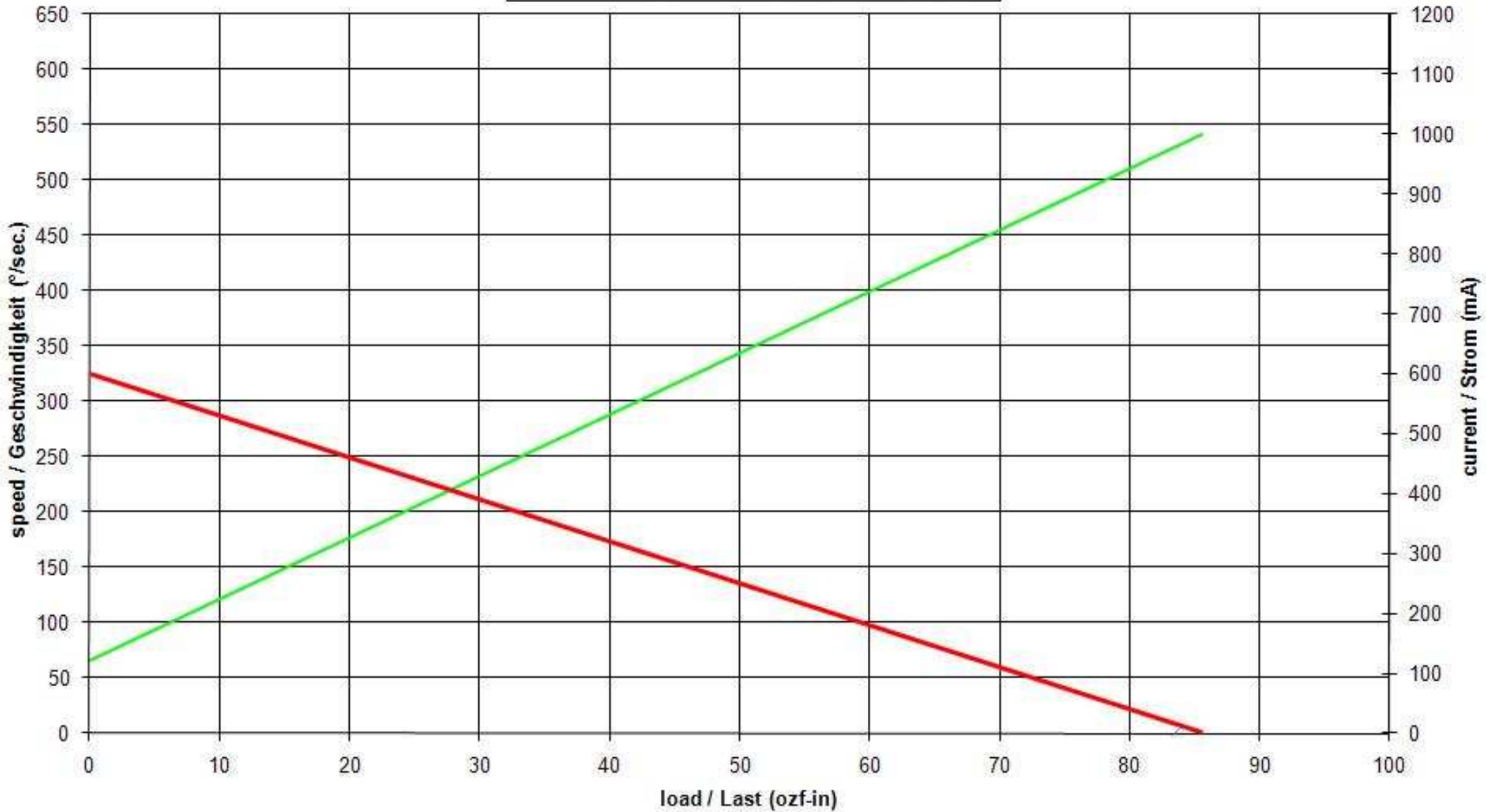
# DA 14-05-60 @ 5V

— speed-graph — current-graph



# DA 14-05-60 @ 5V

speed-graph    current-graph



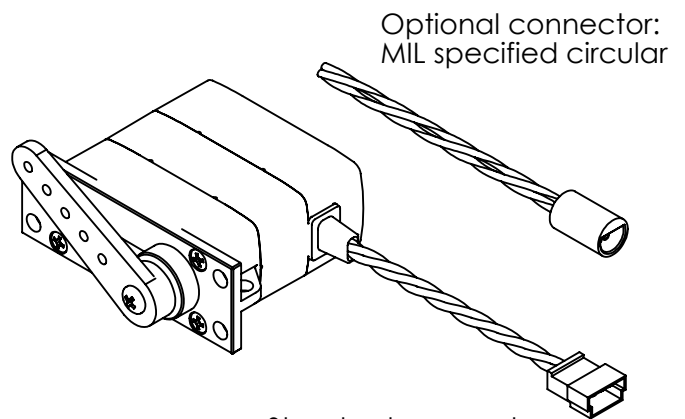
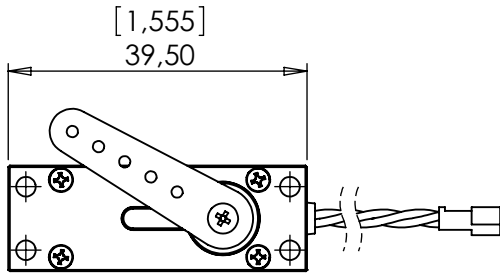
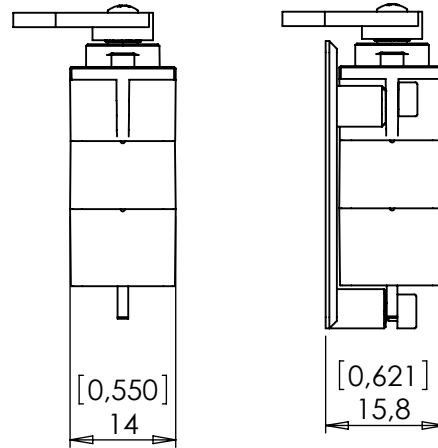
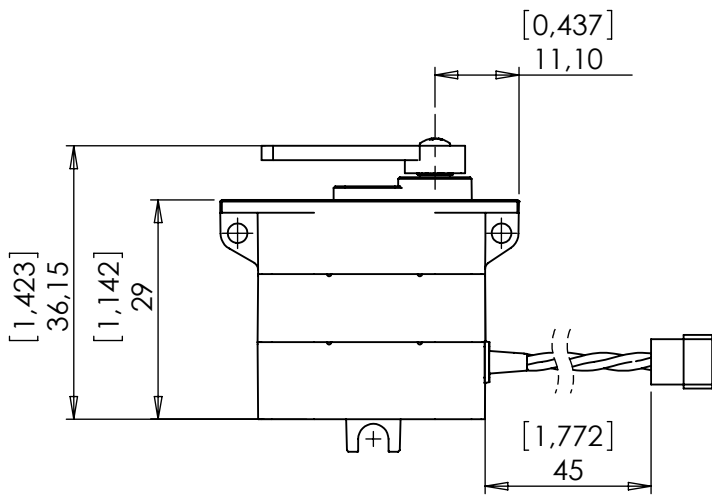
# DA 14-Series

DA 14-05-32-A

DA 14-05-60-A

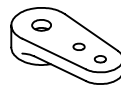
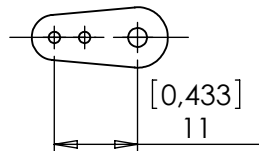
dimensions: [Inches]  
mm

3D-STEP-files available

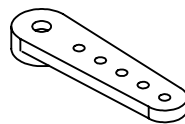
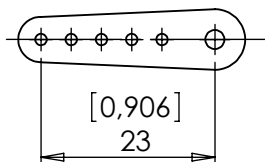


## Accessories

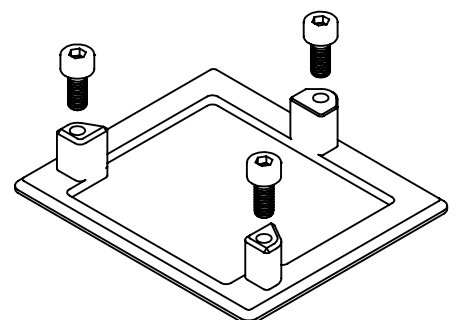
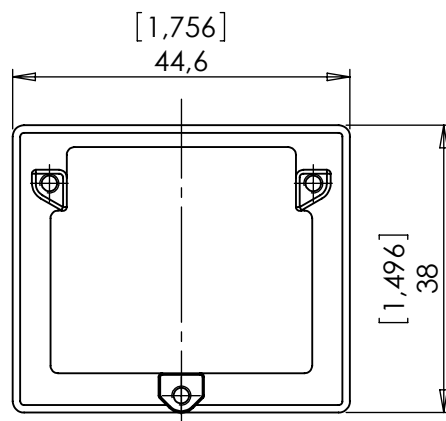
# 1521.21  
alu arm, short, single sided



# 1521.22  
alu arm, long, single sided



# 1521.31  
alu mounting frame  
for A-Version  
incl. screws



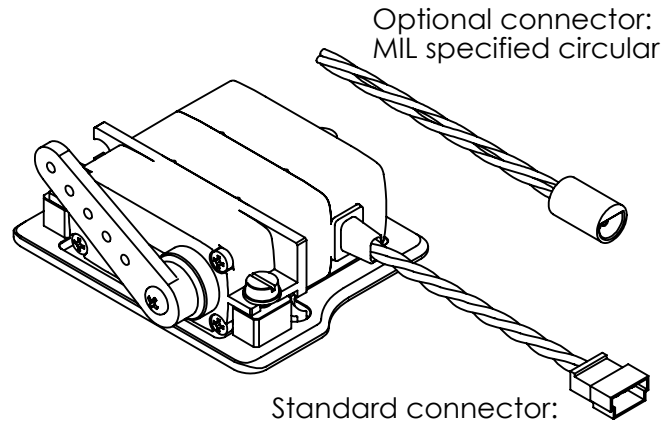
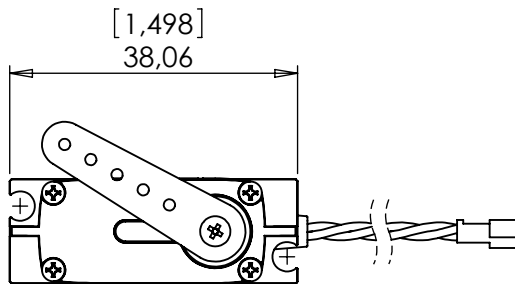
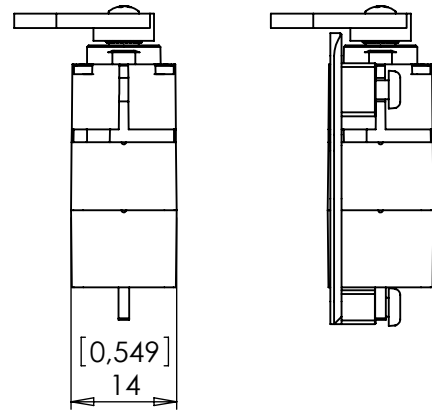
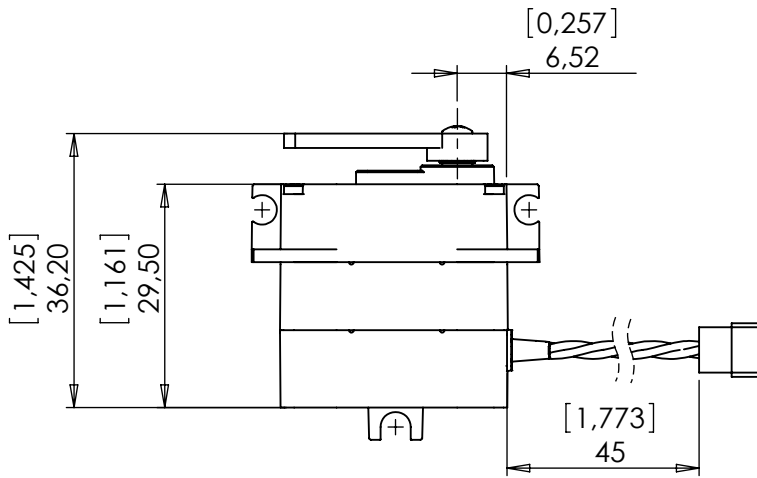
# DA 14-Series

DA 14-05-32-B

DA 14-05-60-B

dimensions: [Inches]  
mm

3D-STEP-files available

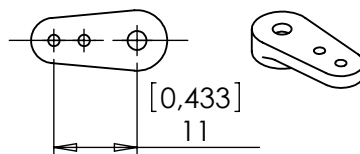


Optional connector:  
MIL specified circular

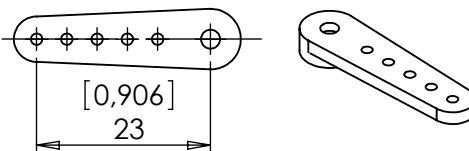
Standard connector:  
JST ZMR-03

## Accessories

# 1521.21  
alu arm, short, single sided



# 1521.22  
alu arm, long, single sided



# 1521.30  
alu mounting frame  
for B-Version  
incl. screws

