

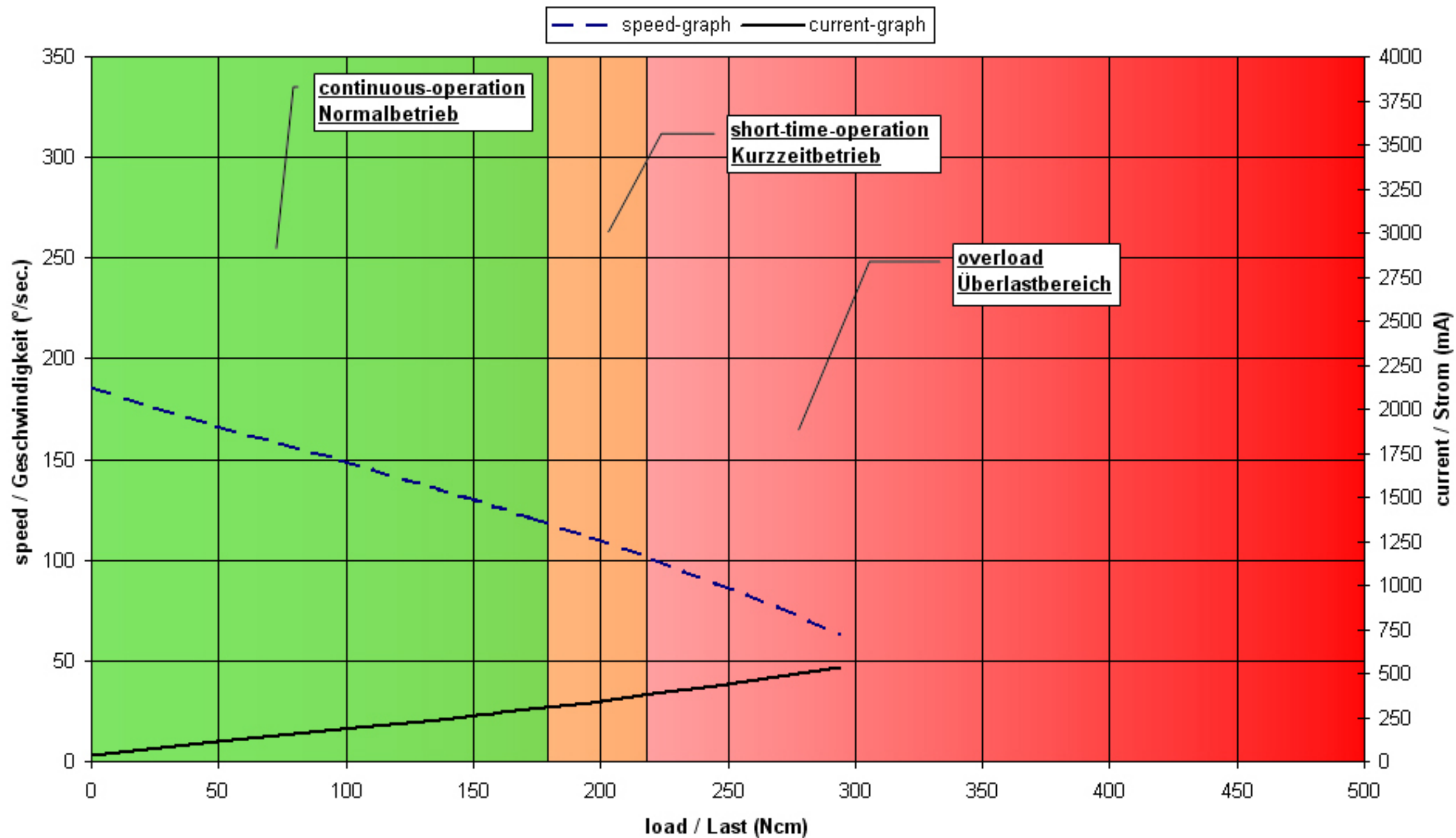
DA 22-30-4128

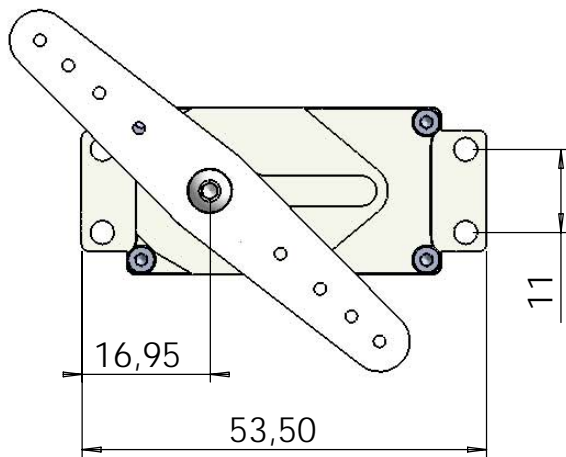
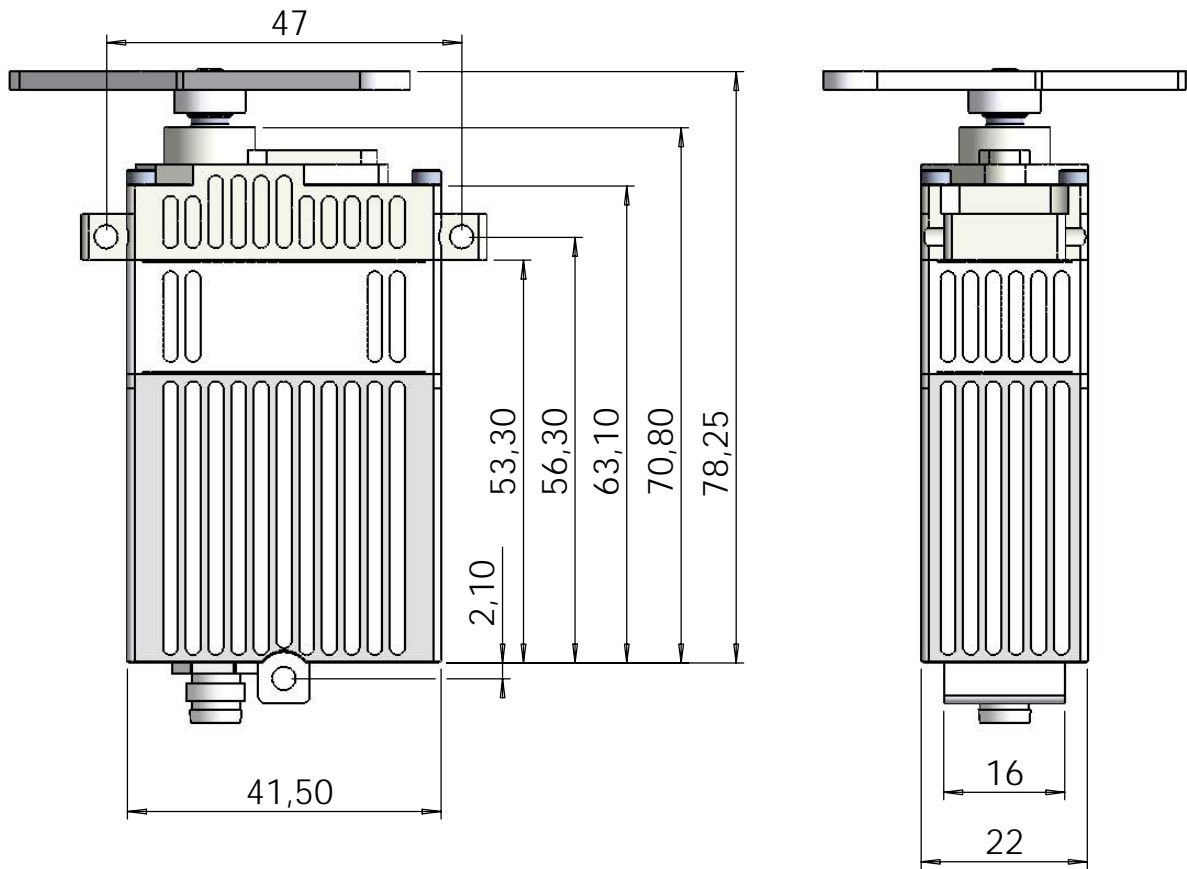
| Supply Voltage | |
|--|--|
| Operating voltage | 20-30 Volt |
| Signal voltage | TTL level |
| Current consumption | at 30 Volt |
| Stand by * | < 10 mA |
| Stall current * | 730 mA |
| Input pulse | |
| Frame rate | 2,6-2000 ms |
| Valid pulse lengths | 1,0 – 2,0 ms |
| Left / Center / Right | 1,0 ms / 1,5 ms / 2,0 ms |
| Resolution | < 0,5 µsec. |
| Operating data at 30 Volts | |
| Peak stall torque * | > 350 Ncm |
| Continuous torque * | 180 Ncm |
| No load speed * | 180° / sec. |
| Max. travel angle (standard) | +/- 85° = 170° total travel |
| Max. travel angle (optional) | +/- 165° = 330° total travel |
| Deadband (mechanical) | < 0,5° |
| Deadband (electrical) | < 0,5 µsec. |
| Position error under temperature: | < 0,3 -20° C. to +50° C. (= Delta 70° C.) |
| Operating temperature | -30° C. - +70° C |
| Max. storage temperature | -35° C. - +80° C |
| Material / Shielding / Protection | |
| Case | Saltwater corrosion resistant aluminium alloy |
| Splash water resistance | Standard |
| Salt water resistance | Standard |
| EMI / RFI shielding | Standard |
| Gear set | hardened steel, english silver, brass |
| Gear protection system | Standard: ISS-System |
| Dimensions / Weight | |
| Case dimensions / Weight | 41,6 x 66,0 x 22,0 mm / 132 g ± 0,2 mm / ± 5% |
| Item Number # | # 22.30.4128 |

The actuator is fully programmable using programming tool # 985

* tolerance ± 10 %

DA 22-30-4128



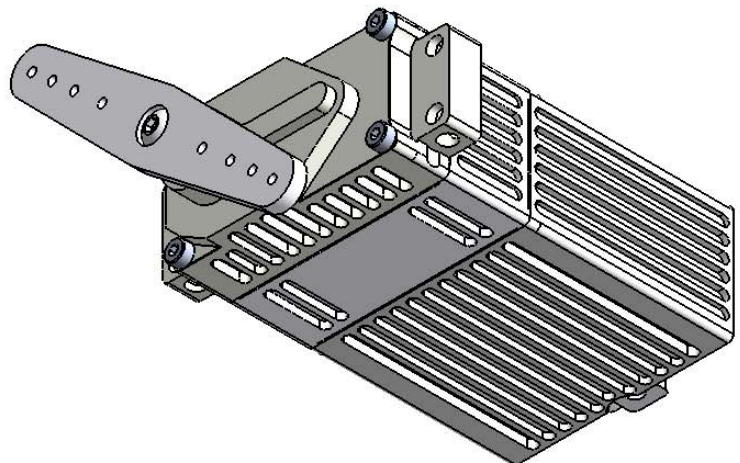


Accessories
 # 1641.21
 alu arm - single sided

1641.20
 alu arm - double sided

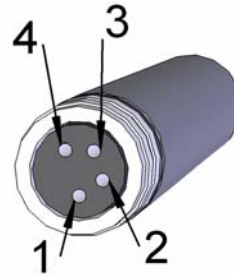
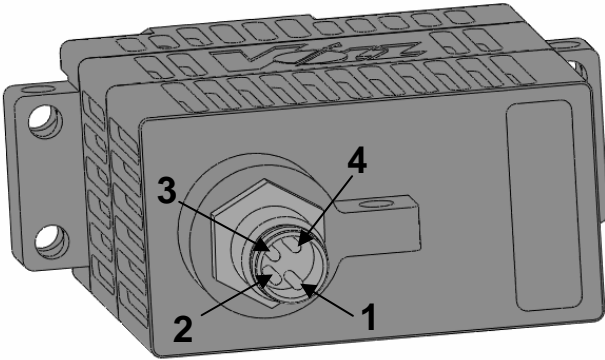
DA 22-30-4128

scale 1:1
 all measurements in mm



DA 22

Pin Assignment



- 1: +VDC, Supply Voltage
- 2: POS, Position Feedback
- 3: SIG, Signal
- 4: GND, Ground

Supplier List

PHOENIX CONTACT GmbH & Co. KG

Flachmarktstrasse 8
32852 Blomberg
Germany

Tel. +49(0)5235-3 00
Fax +49(0)5235-34 12 00

E-Mail: info@phoenixcontact.com
Internet: www.phoenixcontact.com

Product Identification:

Circular Connector PLUSCON circular
SACC-M8FS-4CON-M altern. ...-M-SH

Lumberg Connect GmbH

Im Gewerbepark 2
58579 Schalksmuehle
Germany

Tel. +49(0)2355-83 01
Fax +49(0)2355-83 263

E-Mail: sales-connect.de@lumberg.com
Internet: www.lumberg.com

Product Identification:

Miniature Circular Connector
MJ-372/4

Franz Binder GmbH + Co. Elektrische Bauelemente KG

Roetelstrasse 27
74172 Neckarsulm
Germany

Tel. +49(0)7132-325 0
Fax +49(0)7132-325 150

E-Mail: info@binder-connector.de
Internet: www.binder-connector.de

Product Identification:

Subminiature Circular Connectors
Series 702 altern. 711

ESCHA Bauelemente GmbH

Elberfelder Strasse 32
58553 Halver
Germany

Tel. +49(0)2353-708 800
Fax +49(0)2353-708 400

E-Mail: info@escha.de
Internet: www.escha.de

Product Identification:

Round Connector M8x1
SKP4-... bzw. SKPS4-...